

# Base Specialty Cabinets

## Construction Options and Modifications

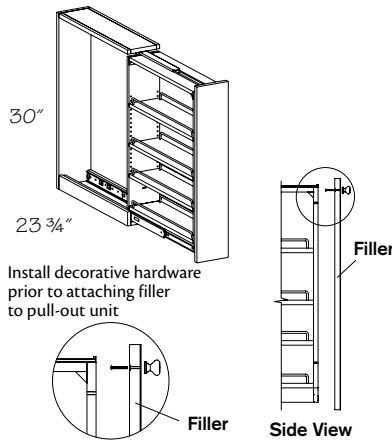
- - - - Available with an upcharge
- ❖ - - - Included as standard
- (Blank) - Not available

Material dimensions may be nominal based on lumber industry standards.

Specifications subject to change without notice.

- PE - - - Plywood Ends
- APC - - All Plywood Construction
- APFC - - All Plywood Furniture Construction
- DE - - - Integrated Decorative End
- FPEB - - Furniture Plywood Ends
- GD - - - Glass Doors
- IF - - - Inverted Frame
- MI - - - Matching Interior
- RD - - - Reduced Depth
- RTK - - Recessed Toe Kick
- RTKP - - Recessed Toe Kick Peninsula
- TWR - - Top Wide Rail
- VTK - - Void Toe Kick
- WR - - - Wide Bottom Rail
- XS - - - Extended Stile

<b>BKSD</b>	<b>36</b>	<b>24</b>	<b>29</b>
code	width	depth	height



### Base Filler Pull-out

(price book pg. E66)

- BFP3** 1 3/4" shelf width
- BFP6** 4 3/4" shelf width



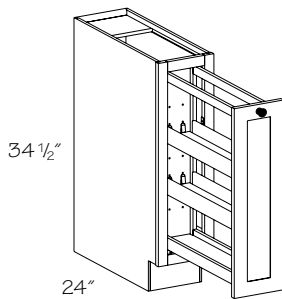
Do not use filler pullouts (WFP, WSPP, BFP, BSPP) at the end of cabinet runs or next to appliances. They must be installed between two cabinets or a cabinet and an end panel.



Consider using a Replacement Drawer Front (RDW3006) on a Base Filler Pullout (BFP) as an overlay for 1/2" door styles.

- Quartersawn door styles will be supplied in plain sawn wood
- A filler overlay is recommended for full overlay door styles; must be ordered separately
- Recommended installation is between two cabinets
- Installation may also be made between a cabinet and a wall or a cabinet and an end panel
- Unit slides on full extension side-mount runners
- Filler is included, but unattached. Unit should be installed before removing shipping brace and attaching filler.
- No toe kick
- Three adjustable shelves

●	PE
●	APC
●	APFC
●	DE
●	FPEB
●	GD
●	IF
●	MI
●	RD
●	RTK
●	RTKP
●	TWR
●	VTK
●	WR
●	XS



### Base Pantry Pull-out

(price book pg. E68)

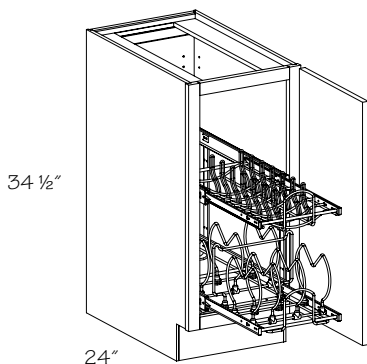
- ❖ **BPP9** 4 1/2" shelf width
- BPP12** 7 1/2" shelf width

❖ Greenwich, Harlowe, Smithton and Vanderbilt doors will have a solid, recessed flat panel.

- ☆ RTKB *not* available
- ☆ RTKPB *not* available

- One fixed wood shelf attached to the bottom of a full-height door
- Two adjustable shelves
- Unit slides on heavy duty full extension runners with integrated buffer

●	PE
●	APC
●	APFC
●	DE
●	FPEB
●	GD
●	IF
●	MI
●	RD
☆	RTK
☆	RTKP
●	TWR
●	VTK
●	WR
●	XS



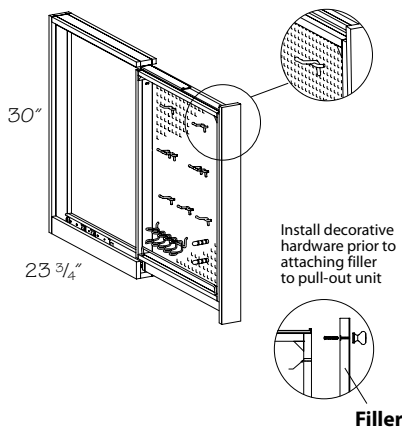
### Tiered Pan and Lid Storage Pull-out

(price book pg. E68)

#### B15 R or L-FH-TPLS

- Unit slides on full extension side-mount runners
- Chrome wire roll-out unit
- Pull-out unit is 11 5/8" wide
- Bottom portion of pull-out has movable dividers and is adjustable to accommodate different pan sizes.

●	PE
●	APC
●	APFC
●	DE
●	FPEB
●	GD
●	IF
●	MI
●	RD
●	RTK
●	RTKP
●	TWR
●	VTK
●	WR
●	XS



### Base Stainless Perforated Pull-out

(price book pg. E68)

#### BSPP3 R or L

- Includes twelve single 3" hooks, six double 3" hooks, twelve 3" pegs and one 5-hole rack

#### BSPP6 R or L

- Includes twelve single 6" hooks, six single 3" hooks, six double 6" hooks and twelve 6" pegs

- Quartersawn door styles will be supplied in plain sawn wood
- Unit slides on full extension side-mount runners
- Recommended installation is between two cabinets
- Right shown
- Installation may also be made between a cabinet and a wall or a cabinet and an end panel
- Filler is included, but unattached. Unit should be installed before removing shipping brace and attaching filler.
- A filler overlay is recommended for full overlay door styles; must be ordered separately
- No toe kick

●	PE
●	APC
●	APFC
●	DE
●	FPEB
●	GD
●	IF
●	MI
●	RD
●	RTK
●	RTKP
●	TWR
●	VTK
●	WR
●	XS

### Pull-out Accessory Pack

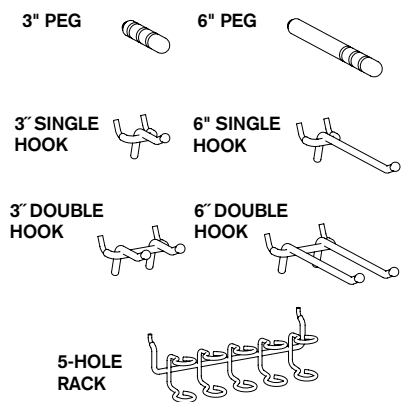
(price book pg. E68)

#### SPPAP3

- Includes ten single 3" hooks, five double 3" hooks, twelve 3" pegs and five 5-hole racks

#### SPPAP6

- Includes five single 3" hooks, ten single 6" hooks, five double 6" hooks, twelve 6" pegs and five 5-hole racks



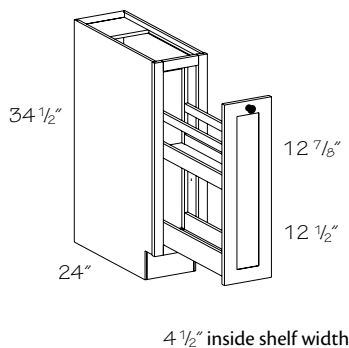
●	PE
●	APC
●	APFC
●	DE
●	FPEB
●	GD
●	IF
●	MI
●	RD
●	RTK
●	RTKP
●	TWR
●	VTK
●	WR
●	XS

### Base Liter Bottle

(price book pg. E68)

#### BLB9

- Designed to hold ten 2-liter bottles
- Two fixed wood shelves attached to a full-height door
- Unit slides on heavy duty full extension runners with integrated buffer
- Greenwich, Harlowe, Smithton and Vanderbilt doors will have a solid, recessed flat panel.
- Note:** 3-liter bottles will **not** fit
- ☆ RTKB **not** available
- ☆ RTKPB **not** available



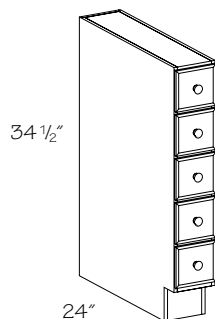
●	PE
●	APC
●	APFC
●	DE
●	FPEB
●	GD
●	IF
●	MI
●	RD
☆	RTK
☆	RTKP
●	TWR
●	VTK
●	WR
●	XS

### Base Spice Drawer Cabinet

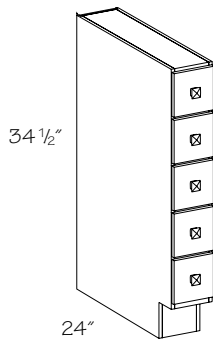
(price book pg. E68)

#### BSDC6

- 5/8" wood veneer construction
- Drawer boxes have 1/2" sides and 3/4" floor, front and back
- Drawer box slides along wood guide. Wood guide is used to keep drawers from moving left to right.
- Interior drawer depth 22" from front to back
- All drawer boxes are natural birch wood veneer plywood
- Solid wood drawer fronts
- Drawer front is adjustable
- Matching wood knobs included, **not** installed
- Recommended installation is between two cabinets
- Replacement knobs available—use the following order codes: 181 for Oak and Hickory; 634 for Laminates; 161 for Birch and Maple; 171 for Cherry. See Decorative Hardware section of this book for description.
- Note:** This cabinet features "frameless" type construction
- Not** available in Morrystown; Melrose and Brockton are plain sawn wood
- ☆ RTKPB, RTKPL, RTKPR **not** available



●	PE
●	APC
●	APFC
●	DE
●	FPEB
●	GD
●	IF
❖	MI
●	RD
●	RTK
☆	RTKP
●	TWR
●	VTK
●	WR
●	XS



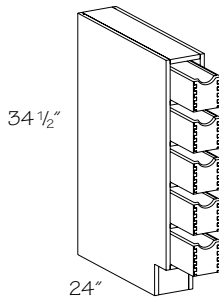
### Base Spice Drawer Cabinet Mission

(price book pg. E70)

#### BSDC6 •M

- Wood Veneer Construction (WVC) standard
- Drawer box slides along wood guide. Wood guide is used to keep drawers from moving left to right.
- Drawer boxes have 1/2" sides and 3/4" floor, front and back
- Interior drawer depth 22" from front to back
- All drawer boxes are natural birch wood veneer plywood
- Solid wood quartersawn drawer fronts
- Drawer front is adjustable
- Matching wood knobs included, **not** installed
- Recommended installation is between two cabinets
- Replacement knobs available. Use order code 7023. See Decorative Hardware section of this book for description.
- Available in quartersawn oak door styles only
- **Note:** This cabinet features "frameless" type construction
- ☆ RTKPB, RTKPL, RTKPR **not** available

●	PE
●	APC
●	APFC
●	DE
●	FPEB
●	GD
●	IF
❖	MI
●	RD
●	RTK
☆	RTKP
●	TWR
●	VTK
●	WR
●	XS



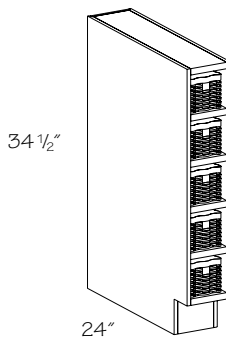
### Dovetailed Base Spice Drawer Cabinet

(price book pg. E70)

#### DTBSDC6

- 5/8" wood veneer construction
- Quartersawn door styles will be supplied in plain sawn wood
- Drawer interior is 3 1/4" wide and 21" deep from front to back
- Drawer boxes are 1/2" thick solid beech with a natural finish
- Recommended installation is between two cabinets
- **Note:** This cabinet features "frameless" type construction
- ☆ RTKPB, RTKPL, RTKPR **not** available

●	PE
●	APC
●	APFC
●	DE
●	FPEB
●	GD
●	IF
❖	MI
●	RD
●	RTK
☆	RTKP
●	TWR
●	VTK
●	WR
●	XS



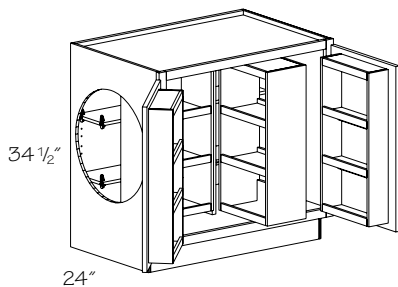
### Wicker Base Spice Drawer Cabinet

(price book pg. E70)

#### WBSDC6

- 5/8" wood veneer construction
- Quartersawn door styles will be supplied in plain sawn wood
- Recommended installation is between two cabinets
- Wicker baskets are in natural finish and are shipped with a removable, washable liner of unbleached cotton canvas
- **Note:** This cabinet features "frameless" type construction
- ☆ RTKPB, RTKPL, RTKPR **not** available

●	PE
●	APC
●	APFC
●	DE
●	FPEB
●	GD
●	IF
❖	MI
●	RD
●	RTK
☆	RTKP
●	TWR
●	VTK
●	WR
●	XS



### Base Multi-Storage Pantry

(price book pg. E70)

#### BMSP36

- Adjustable 7 1/8" deep shelves
- Swing-out shelves operate within a 90° door opening
- Two 4" deep door storage racks with three fixed shelves
- Two 8" deep double sided swing-out storage racks with three fixed shelves
- Contrasting Back Options (CBEB, CPLB, CVGR) **not** available

●	PE
●	APC
●	APFC
●	DE
●	FPEB
●	GD
●	IF
●	MI
●	RD
●	RTK
●	RTKP
●	TWR
●	VTK
●	WR
●	XS

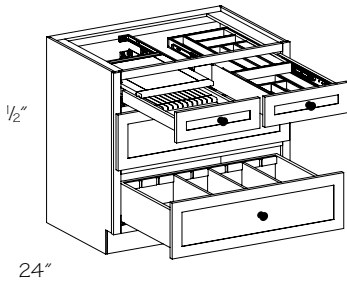
### Base Cooking Center

(price book pg. E70)

# knife slots

**BCC36** 12

- KSCC18 in top left drawer
- WTCD18 in top right drawer
- Two 7" deep drawers with Adjustable Drawer Dividers (ADD)



- PE
- APC
- APFC
- DE
- FPEB
- GD
- IF
- MI
- RD
- RTK
- RTKP
- TWR
- VTK
- WR
- XS

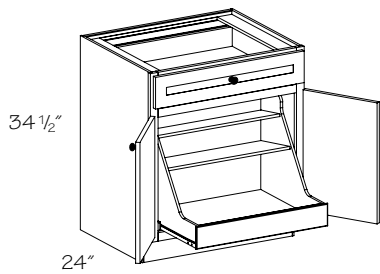
### Base w/Pots and Pans Organizer

(price book pg. E70)

**B30 BUTT-BPPSO**

**B36 BUTT-BPPSO**

- 4" high Roll-out Tray with integrated shelf system
- Roll-out sides, back and shelves are 1/2" wood veneer plywood



- PE
- APC
- APFC
- DE
- FPEB
- GD
- IF
- MI
- RD
- RTK
- RTKP
- TWR
- VTK
- WR
- XS

### Base Super Storage

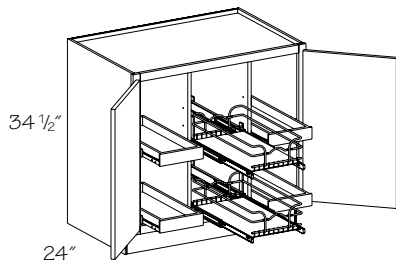
(price book pg. E72)

**BSS36 •RPR**

Replacement tray

**ROT •BSS36**

- Four adjustable, standard Roll-out Trays (ROT)
- Standard Roll-out Tray (ROT) compartments are 9 7/8" wide
- Chrome wire roll-out unit
- Wire roll-out trays operate independently; interior dimensions are 10 1/4" wide x 21 3/8" long x 5" deep
- Wire roll-out trays have removable polystyrene floor
- Wire roll-out trays are *not* adjustable
- Contrasting Back Options (CBEB, CPLB, CVGR) *not* available



- PE
- APC
- APFC
- DE
- FPEB
- GD
- IF
- MI
- RD
- RTK
- RTKP
- TWR
- VTK
- WR
- XS

New

### Baking Station Base

(price book pg. E72)

One drawer

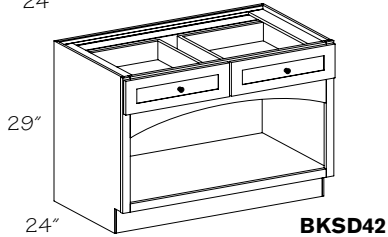
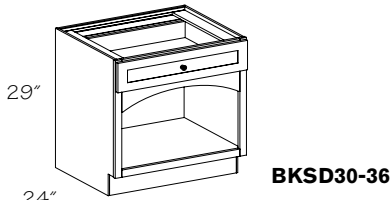
**BKSD302429**

**BKSD362429**

Two drawers

**BKSD422429**

Color coding indicates new product, size or code



- Comfortable height for baking tasks
- The following valance options are available:
  - VA (4 1/2" Arched Fret Valance)
  - VAR (4 1/2" Arched Valance No Fret)
  - VAR-M (3 1/2" Arched Valance Mission)
  - VCB (5 1/2" Corbel Valance)
  - VCV (5 1/2" Cove Valance)
  - VCR (5 1/2" Crown Valance)
  - VF (3 1/2" Furniture Valance)
  - VSH (5 1/2" Shaker Arched Valance)
  - VTWR (6" Straight Rail Valance)
  - VVIC (5 1/2" Victorian Valance)
- Example: BKSD302429-VAR
- See Construction Options section of this book for illustrations
- VAR-M only valance available in Morristown
- VAR-M available in quartersawn oak door styles only
- Valance options are plain sawn wood in quartersawn door styles; except VAR-M, which is quartersawn oak
- Laminates are painted hardwood

- PE
- APC
- APFC
- DE
- FPFB
- GD
- IF
- ❖ MI
- RD
- RTK
- RTKP
- TWR
- VTK
- WR
- XS

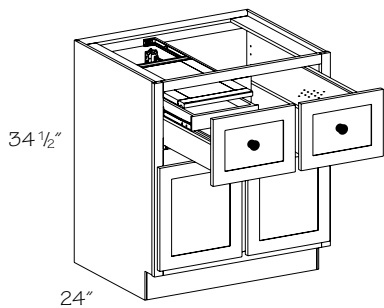
### Base Drawer Buffet

(price book pg. E72)

# knife slots

**BDB30** 8

**BDB36** 11



- No shelf
- One deep drawer with Sliding Bread Box Lid
- One deep drawer with Cutlery Divider (CD), pull-out Knife Section (KS) and Cutting Board
- **Note:** BDB drawer fronts on full overlay door styles will match the door panel detail rather than the standard drawer front for that door style

- PE
- APC
- APFC
- DE
- FPFB
- GD
- IF
- MI
- RD
- RTK
- RTKP
- TWR
- VTK
- WR
- XS

### Pedestal Drawer

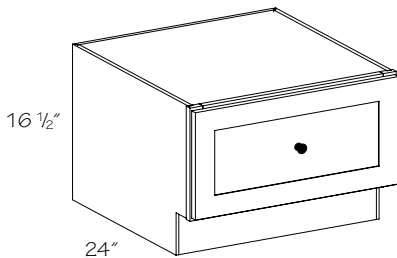
(price book pg. E72)

**PSD24**

**PSD27**

**PSD30**

**PSD36**



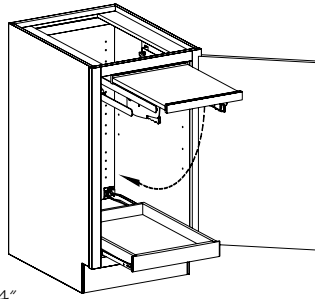
- 24" wide unit will house a single dishwasher drawer when installed between two cabinets
- **Not** intended for washing machines or dryers

- PE
- APC
- APFC
- DE
- FPFB
- GD
- IF
- MI
- RD
- RTK
- RTKP
- TWR
- VTK
- WR
- XS

Base Cabinets

**Base Mixer Shelf***(price book pg. E72)**Specify R or L***BMS18 R or L****BMS21 R or L****BMS24 R or L****BMS24 BUTT**

34 1/2"



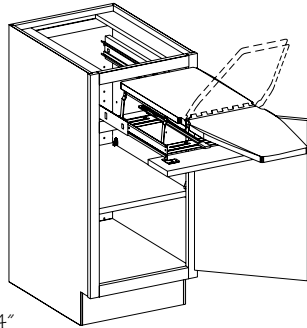
24"

- 25 pound capacity lift brings appliance out of cabinet and up to working height
- Maximum appliance height is 16"
- Full-height door
- One Roll-out Tray (ROT)

**Base Ironing Board***(price book pg. E72)**Specify R or L***BIB18 R or L**

- Ironing board extends 39" out from front of cabinet front when open
- Includes ironing board pad
- One adjustable, full-depth shelf

34 1/2"



24"

**Base Vegetable Basket***(price book pg. E74)**Specify R or L**Basket size - W" x D"***B15 R or L-2VB**

11" x 19"

**B18 R or L-2VB**

14" x 19"

**B24 R or L-2VB**

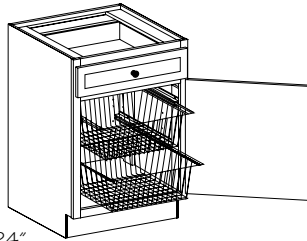
20" x 19"

**B24 BUTT-2VB**

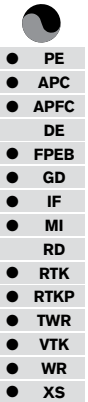
20" x 19"

- Two epoxy coated wire bins
- Bins are easily removable

34 1/2"

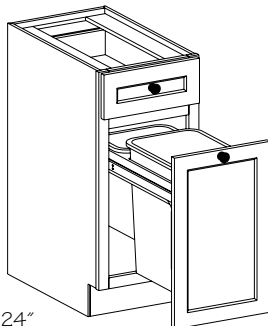


24"

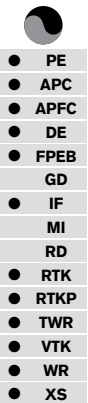
**Base Top Mount Wastebasket-Single***(price book pg. E74)***BWBT15**

- 35 quart capacity white basket(s)
- Includes bag storage tray at rear. Inside dimensions 9" W x 6 3/16" D x 6 5/16" H
- Basket(s) rest in a natural maple plywood frame
- Basket(s) are easily removable for emptying or cleaning
- Frame slides on full extension glides
- Optional Wastebasket Lid (WBL) available for 35 and 50 quart wastebaskets

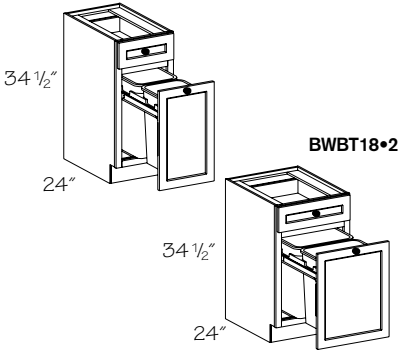
34 1/2"



24"



BWBT15•2



### Base Top Mount Wastebasket–Double

(price book pg. E74)

#### BWBT15 •2

- Two 27 quart capacity white baskets

#### BWBT18 •2

- Two 35 quart capacity white baskets

- Basket(s) rest in a natural maple plywood frame
- Basket(s) are easily removable for emptying or cleaning
- Frame slides on full extension glides
- Optional Wastebasket Lid (WBL) available for 35 and 50 quart wastebaskets

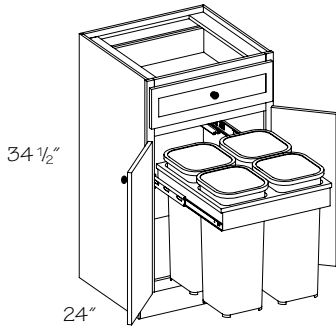
- PE
- APC
- APFC
- DE
- FPFB
- GD
- IF
- MI
- RD
- RTK
- RTKP
- TWR
- VTK
- WR
- XS

### Base Top Mount Wastebasket–Recycling Center

(price book pg. E74)

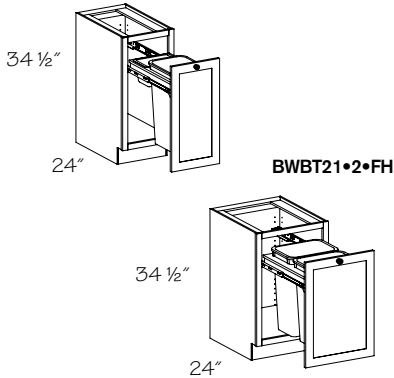
#### BWBT27 (Butt)•4

- Four 27 quart capacity white baskets
- Basket(s) rest in a natural maple plywood frame
- Basket(s) are easily removable for emptying or cleaning
- Frame slides on full extension glides
- Doors are *not* attached to roll-out unit



- PE
- APC
- APFC
- DE
- FPFB
- GD
- IF
- MI
- RD
- RTK
- RTKP
- TWR
- VTK
- WR
- XS

BWBT15•FH



### Base Top Mount Wastebasket–Full-Height

(price book pg. E74)

#### ※ BWBT15 •FH

#### BWBT21 •2•FH

- ※ Includes bag storage tray at rear. Inside dimensions 9" W x 6 3/16" D x 6 5/16" H

- Basket(s) rest in a natural maple plywood frame
- Basket(s) are easily removable for emptying or cleaning
- Frame slides on full extension glides
- One or two 50 quart capacity white baskets
- Optional Wastebasket Lid (WBL) available for 35 and 50 quart wastebaskets

- PE
- APC
- APFC
- DE
- FPFB
- GD
- IF
- MI
- RD
- RTK
- RTKP
- TWR
- VTK
- WR
- XS

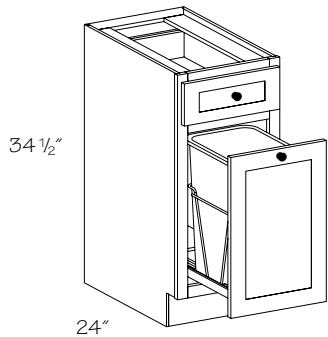
### Base Single Wastebasket

(price book pg. E76)

#### BWB15

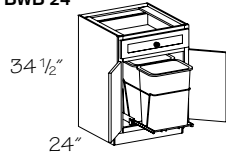
#### BWB18

- 35 quart capacity white basket(s)
- Basket(s) are easily removable for emptying or cleaning
- Door is attached to roll-out unit
- Wastebasket(s) are held in by epoxy coated wire "cage"
- Optional Wastebasket Lid (WBL) available for 35 and 50 quart wastebaskets



- PE
- APC
- APFC
- DE
- FPFB
- GD
- IF
- MI
- RD
- RTK
- RTKP
- TWR
- VTK
- WR
- XS

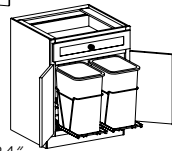
BWB 24



34 1/2"

24"

34 1/2"

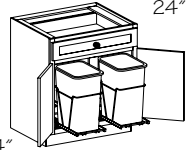


24"

BWB 27

34 1/2"

24"



BWB 30

### Base Double Wastebasket

(price book pg. E76)

Specify R or L

#### BWB24 R or L-2

- Single door

#### BWB24 BUTT-2

- Full extension glides

#### BWB27 -2

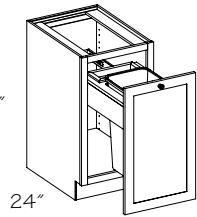
#### BWB30 -2

- 35 quart capacity white basket(s)
- Basket(s) are easily removable for emptying or cleaning
- Wastebasket(s) are held in by epoxy coated wire "cage"
- Optional Wastebasket Lid (WBL) available for 35 and 50 quart wastebaskets

●	PE
●	APC
●	APFC
●	DE
●	FPEB
●	GD
●	IF
●	MI
●	RD
●	RTK
●	RTKP
●	TWR
●	VTK
●	WR
●	XS

New

34 1/2"

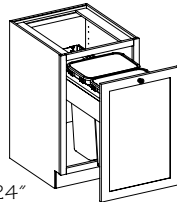


24"

BWBTS18

34 1/2"

24"



BWBTS21-2

### Base Top Mount Wastebasket-Soft-Close

(price book pg. E76)

#### \* BWBTS18 -FH

#### BWBTS21 -2-FH

- \* Includes wood bag storage tray at rear. Inside dimensions 9 1/2" W x 3 5/8" D x 3 1/4" H

Color coding indicates new product, size or code

- Basket(s) rest in a natural maple plywood frame
- Basket(s) are easily removable for emptying or cleaning
- Frame slides on full extension glides with soft-close feature
- One or two 50 quart capacity white baskets

●	PE
●	APC
●	APFC
●	DE
●	FPEB
●	GD
●	IF
●	MI
●	RD
●	RTK
●	RTKP
●	TWR
●	VTK
●	WR
●	XS