



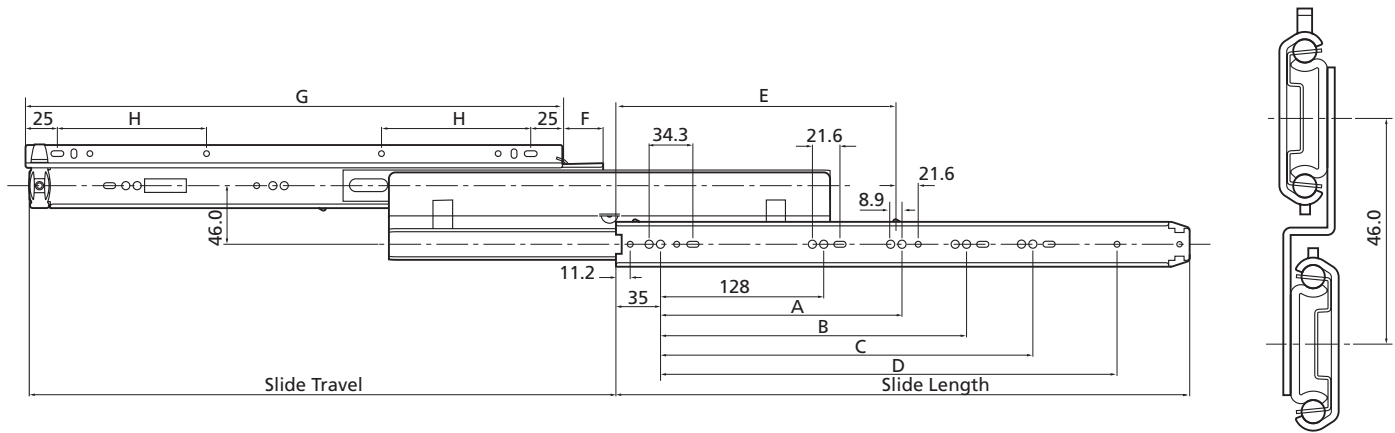
Features

- ▶ 1" over travel
- ▶ Side mount
- ▶ Height: 4" (101.6 mm)
- ▶ Side spacing: 1/2" (+ 1/32" - 0") 12.7 mm (+ 0.38 mm - 0 mm)
- ▶ Load rating: 150 lbs (22" length)
- ▶ Electro zinc finish (black available)
- ▶ Lengths: 12" - 28"
- ▶ Packaging: 5 pair per carton
- ▶ Screw mounting system 32 mm compatible
- ▶ Attached release clip with quick disconnect rails for easy drawer removal
- ▶ Progressive movement
- ▶ Handed slide member

Applications

- ▶ File drawers
- ▶ Office furniture

Dimensions



| 11616 04 | Length | | Travel | | A | | B | | C | | D | | E | | F | | G | | H | | Load | |
|--------------|--------|-----|---------|-----|---------|-----|--------|-----|---------|-----|----------|-----|--------|-----|--------|----|---------|-----|--------|-----|------|----|
| Item-No. | Inches | mm | Inches | mm | Inches | mm | Inches | mm | Inches | mm | Inches | mm | Inches | mm | Inches | mm | Inches | mm | Inches | mm | lbs | kg |
| 11616 04 021 | 12 | 300 | 13-1/4 | 338 | 9-13/16 | 224 | | | | | | | 5-5/8 | 143 | 1-1/4 | 31 | 10-9/16 | 269 | 4-5/8 | 117 | 109 | 49 |
| 11616 04 022 | 14 | 350 | 15-1/4 | 387 | 9-13/16 | 224 | | | | | | | 6-5/8 | 169 | 1-1/4 | 31 | 12-9/16 | 320 | 4-5/8 | 117 | 121 | 54 |
| 11616 04 023 | 16 | 400 | 17-5/8 | 449 | 9-13/16 | 224 | 12-5/8 | 320 | | | | | 7-5/8 | 194 | 1-1/4 | 31 | 14-9/16 | 370 | 4-5/8 | 117 | 135 | 61 |
| 11616 04 024 | 18 | 450 | 19-5/8 | 498 | 9-13/16 | 224 | 13-7/8 | 352 | | | | | 8-5/8 | 219 | 1-1/4 | 31 | 16-9/16 | 421 | 4-5/8 | 117 | 150 | 68 |
| 11616 04 025 | 20 | 500 | 21-9/16 | 547 | 9-13/16 | 224 | 16-3/8 | 416 | | | | | 9-5/8 | 245 | 1-1/4 | 31 | 18-9/16 | 472 | 4-5/8 | 117 | 135 | 61 |
| 11616 04 026 | 22 | 550 | 23-1/2 | 597 | 9-13/16 | 224 | 13-7/8 | 352 | 17-5/8 | 448 | 18-7/8 | 480 | 10-5/8 | 270 | 1-1/8 | 28 | 20-9/16 | 523 | 4-5/8 | 117 | 121 | 54 |
| 11616 04 027 | 24 | 600 | 25-7/16 | 646 | 9-13/16 | 224 | 13-7/8 | 352 | 18-7/8 | 480 | | | 11-5/8 | 296 | 1-1/8 | 28 | 22-9/16 | 574 | 4-5/8 | 117 | 109 | 49 |
| 11616 04 028 | 26 | 650 | 24-7/16 | 695 | 9-13/16 | 224 | 13-7/8 | 352 | 21-7/16 | 544 | | | 12-5/8 | 321 | 1-1/8 | 28 | 24-9/16 | 624 | 4-5/8 | 117 | 98 | 44 |
| 11616 04 029 | 28 | 700 | 29-1/4 | 744 | 9-13/16 | 224 | 13-7/8 | 352 | 21-7/16 | 544 | 23-15/16 | 608 | 13-5/8 | 346 | 2-1/4 | 58 | 25-7/16 | 645 | 4-5/8 | 117 | 88 | 40 |

West: toll free (800) 821-4007 · fax (714) 751-2366 · sales@usfutaba.com