



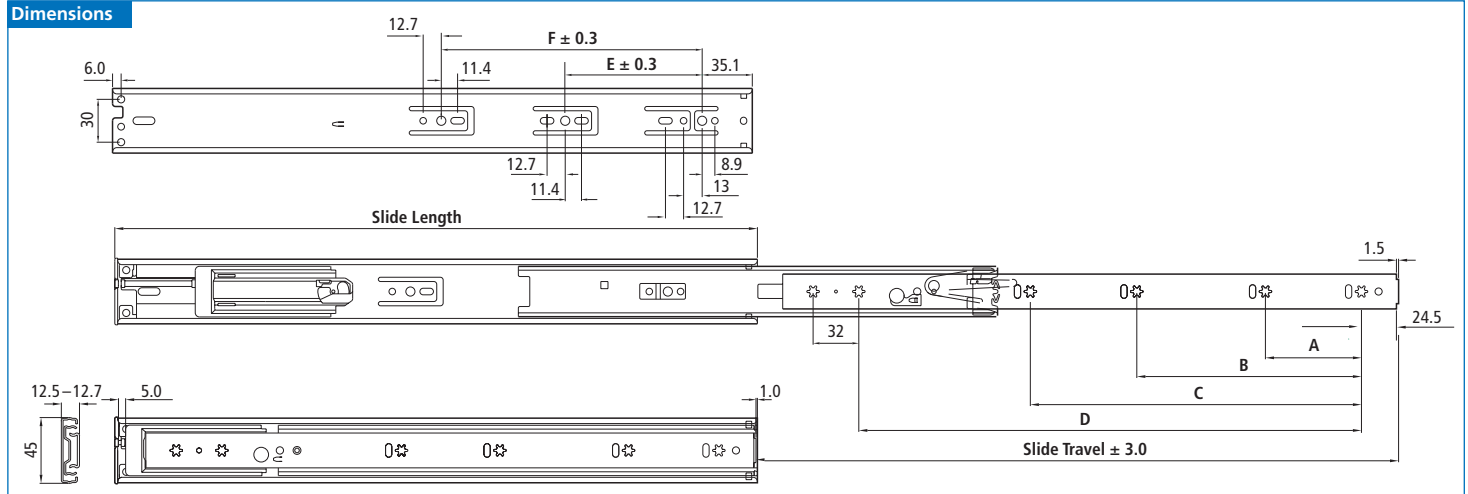
Features

- ▶ Full extension
- ▶ Side mount
- ▶ Height: 1-13/16" (45.7 mm)
- ▶ Side spacing: 1/2" (+ 1/32" - 0")
12.7 mm (+ 0.38 mm - 0 mm)
- ▶ Load rating: 100 lbs (22" length)
- ▶ Electro zinc finish (black available)
- ▶ Lengths: 12" - 28"
- ▶ Packaging: 10 pair per carton
- ▶ Extremely light, silent and smooth motion with cushioned out-stop and 2" soft close stroke
- ▶ Screw mounting system 32 mm compatible
- ▶ 5.5 - 6.5 lbs (2.5 - 3 kgs) pull force per drawer
- ▶ Patented integrated dampening mechanism - no hassle for grease leakage or drawer bounce

Applications

- ▶ Kitchen cabinets
- ▶ Bedroom furniture
- ▶ Office furniture
- ▶ Commercial furniture

Dimensions



Item-No.	Length		Travel		A		B		C		D		E		F		Load	
	Inches	mm	Inches	mm	Inches	mm	Inches	mm	Inches	mm	Inches	mm	Inches	mm	Inches	mm	lbs	kg
12415 04 116	12	300	8-1/2	215	2-1/2	64					7-9/16	192					50	22.7
12415 04 117	14	350	11-3/8	290	3-3/4	96					10-1/16	256	3-3/4	96			60	27.2
12415 04 118	16	400	14-3/8	365	6-1/4	160					11-5/16	288	6-1/4	160			60	27.2
12415 04 119	18	450	17-5/16	440	3-3/4	96	7-9/16	192			13-7/8	352	3-3/4	96	7-9/16	192	100	45.4
12415 04 120	20	500	19-11/16	500	3-3/4	96	8-13/16	224			15-1/8	384	5	128	10	256	100	45.4
12415 04 121	22	550	21-11/16	550	3-3/4	96	8-13/16	224			17-5/8	448	6-1/4	160	12-9/16	320	100	45.4
12415 04 122	24	600	23-5/8	600	5	128	8-13/16	224	16-3/8	416	19-1/2	496	7-9/16	192	13-7/8	352	100	45.4
12415 04 123	26	650	25-9/16	650	5	128	11-5/16	288	17-5/8	448	21-3/8	544	7-9/16	192	16-3/8	416	80	36.2
12415 04 124	28	700	27-9/16	700	5	128	11-5/16	288	18-7/8	480	23-1/4	592	8-13/16	224	17-5/8	448	70	31.8